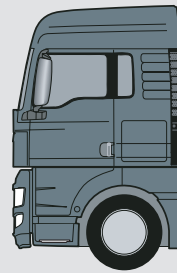




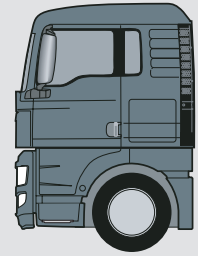
TGX Cab Specifications



TGX Cab Dimensions



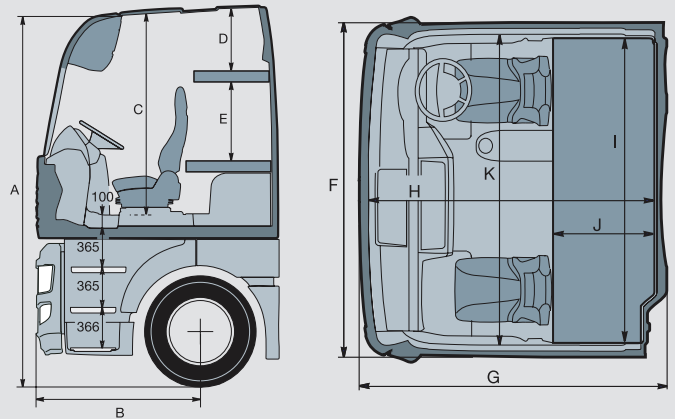
'XLX' Sleeper



'XL' Sleeper

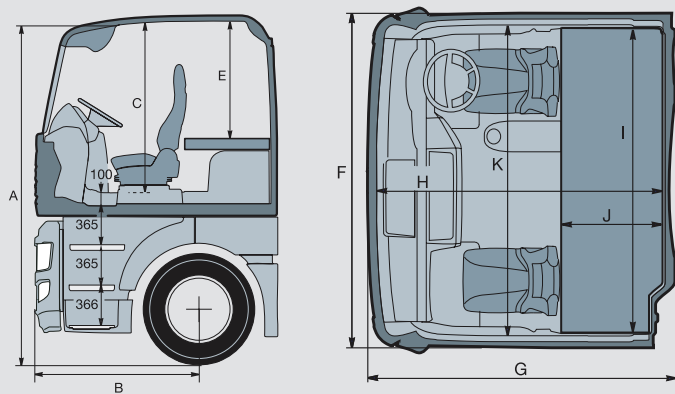
TGX - 'XLX' High Roof Sleeper

A Overall cab height:	
- Without air management	3,570mm
- With air management in low position	3,925mm
- With air management in high position	4,156mm
B Front overhang	1,475mm
C Standing height from engine tunnel	1,875mm
D Top bunk to roof (Optional)	580mm
E Bottom bunk to top bunk	690mm
F Exterior cab width over doors	2,440mm
G Exterior cab length	2,280mm
H Interior cab length	2,145mm
I Bunk length - bottom	2,200mm
Bunk length - top	2,125mm
J Bunk width - bottom	790mm
Bunk width - top	705mm
K Interior cab width	2,256mm

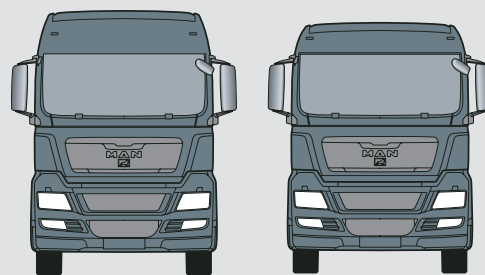


TGX - 'XL' Sleeper

A Overall cab height:	
- Without air management	3,275mm
- With air management in low position	3,825mm
- With air management in high position	4,050mm
B Front overhang	1,475mm
C Standing height from engine tunnel	1,560mm
E Bottom bunk to roof	1,025mm
F Exterior cab width over doors	2,440mm
G Exterior cab length	2,280mm
H Interior cab length	2,145mm
I Bunk length - bottom	2,200mm
J Bunk width - bottom	790mm
K Interior cab width	2,256mm



TGX Cab Dimensions



'XLX' Sleeper

'XL' Sleeper

TGX Standard Equipment

Exterior

- Cab colour (inc bumper, door extensions, wings and rear view mirror housings) – Traffic White RAL9016
- Electrically heated and adjustable rear view and wide angle mirrors with memory function
- Kerb view and front mounted mirrors
- 4 point cab air suspension
- Electric / hydraulic cab tilt to 65 degrees
- External tinted sunvisor
- Underbumper air dam
- Front panel lockable from inside

Interior

- Multifunction steering wheel
- Aluminium inlay in dashboard and doors
- Radio CD 24 volt (double DIN size)
- MAN 6 speaker sound system with subwoofer
- Internal rollerblind sun visors to windscreen and both doors
- Roof hatch
- High-Line instrument panel with driver information system for all major functions
- Single bunk with full cab curtains
- Fine dust and pollen filter
- Low engine tunnel - virtually flat floor
- Central door locking
- Adjustable steering column

Safety

- Entry lighting for driver and co-driver
- External temperature display
- LED parking lights and roof marker lights
- Non-slip entry steps
- Light test function
- Combined fog, spot and cornering lights (synthetic bumper)

Storage

- Pull-out insulated centre storage box
- 2 large external storage lockers – one accessible from inside
- Header rail storage
- Storage pockets with bottle holder in both doors
- Overhead storage lockers (XLX model)
- Centre console with glasses compartment
- 2 drawers in centre console
- Rubberised trays on dashboard

Heating and Ventilation

- Air conditioning with automatic temperature control
- Side window demisting vents

Seats

- High comfort driver seat with air suspension and arm rests in black velour trim
- Adjustable high-back co-driver seat

Windows

- Electric door windows
- Tinted glass all round, laminated windscreen

TGX Optional Equipment

S = Standard O = Optional

Exterior

	XLX	XL
Adjustable air management kit with movable side deflectors	O	O
Adjustable roof spoiler	O	O
2 Air horns on cab roof	O	O
Electric roof hatch	O	O
Remote for central locking	O	O
*3 part steel bumper	O	O

Interior

Burr walnut dashboard trim	O	O
MAN CD autochanger	O	O
Remote control for radio	O	O
Compressed air hose with gun behind seat	O	O
Leather interior	O	O
2nd bunk	--	O
Combination pull-out emergency top bunk / multifunction stowage shelf	O	O
Luxury lower bunk mattress with hardness zones	O	O
Footrest for co-driver	O	O

Safety

Shunting light on n/side step unit	O	O
Headlight washers	O	O
Xenon headlights	O	O
Tyre pressure monitoring system	O	O

Storage

Refrigerated 36L centre storage box with thermostat control and bottle compartment (3x 1.5L bottles)	O	O
Folding table for centre storage box / fridge	O	O

Seats

Air suspended co-driver seat	O	O
ISRI high comfort co-driver seat	O	O
ISRI high comfort driver seat with adjustable lumbar support, adjustable headrest and heating	O	O
ISRI high comfort driver seat with climate control	O	O
Leather seat covers for ISRI seats	O	O

* 3 part steel bumper includes additional fog and spot lamps – cornering light not available with this option.

A large, stylized, 3D-effect logo of the letters 'MAN' in a bold, blocky font. The letters are light blue with a dark blue outline and a slight shadow, giving them a three-dimensional appearance. They are positioned in the lower right quadrant of the page, partially overlapping a large, curved, light blue graphic element that resembles a stylized arch or a thick line curving across the top and left sides of the page.

MAN Automotive Imports Pty Ltd

72 Formation Street, Wacol, Qld 4076 • PO Box 301, Goodna Qld 4300

Telephone: 07 3271 7777 • Facsimile: 07 3271 2720 • www.man.com.au

MAN09-08