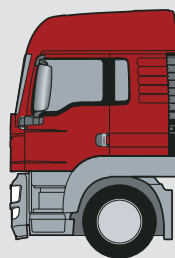




# TGS Cab Specifications



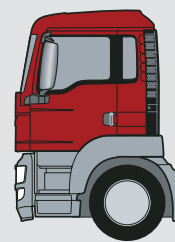
# TGS Cab Dimensions



'LX' Sleeper



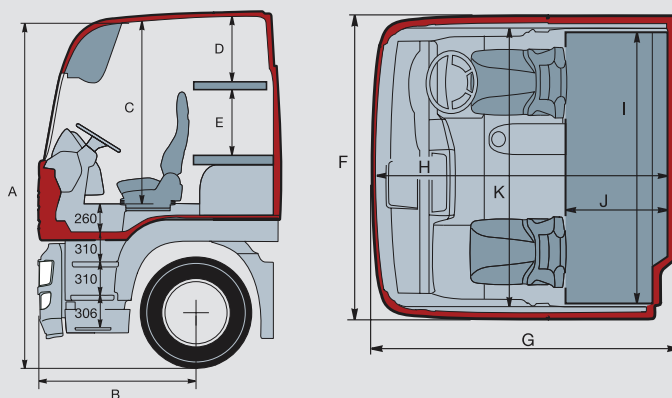
'L' Sleeper



'M' Day

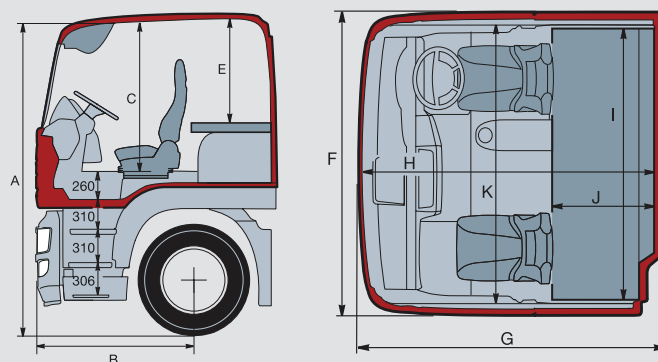
## TGS - 'LX' High Roof Sleeper

A Overall cab height:	
- Without air management	3,320mm
- With air management in low position	3,940mm
- With air management in high position	4,145mm
B Front overhang	1,475mm
C Standing height from engine tunnel	1,665mm
D Top bunk to roof (Optional)	575mm
E Bottom bunk to top bunk	590mm
F Exterior cab width over doors	2,240mm
G Exterior cab length	2,280mm
H Interior cab length	2,145mm
I Bunk length - bottom	2,005mm
Bunk length - top	2,005mm
J Bunk width - bottom	749mm
Bunk width - top	645mm
K Interior cab width	2,056mm



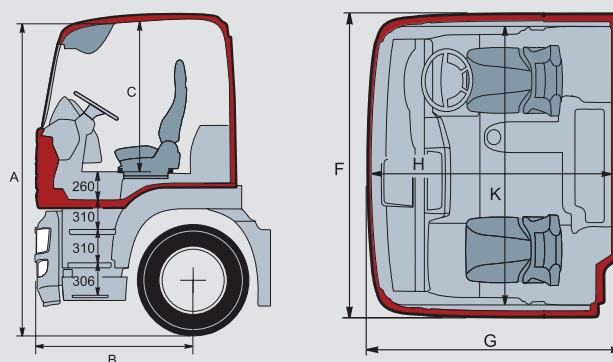
## TGS - 'L' Sleeper

A Overall cab height:	
- Without air management	3,020mm
- With air management in low position	3,655mm
- With air management in high position	3,880mm
B Front overhang	1,475mm
C Standing height from engine tunnel	1,385mm
E Bottom bunk to roof	923mm
F Exterior cab width over doors	2,240mm
G Exterior cab length	2,280mm
H Interior cab length	2,145mm
I Bunk length - bottom	2,005mm
J Bunk width - bottom	749mm
K Interior cab width	2,056mm

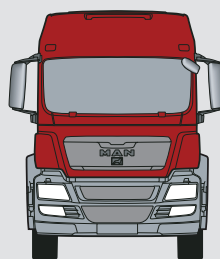


## TGS - 'M' Day

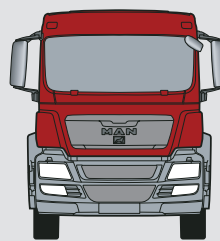
A Overall cab height:	
- Without air management	3,020mm
- With air management in low position	3,655mm
- With air management in high position	3,880mm
B Front overhang	1,475mm
C Standing height from engine tunnel	1,385mm
F Exterior cab width over doors	2,240mm
G Exterior cab length	1,880mm
H Interior cab length	1,770mm
K Interior cab width	2,056mm



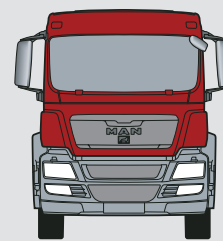
# TGS Cab Dimensions



'LX' Sleeper



'L' Sleeper



'M' Day

## TGS Standard Equipment

### Exterior

- Cab colour (inc. bumper, door extensions and wings) – Traffic White RAL9016
- Electrically heated and adjustable rear view and wide angle mirrors with memory function
- Kerb view and front mounted mirrors
- 4 point cab air suspension (sleeper models)
- Electric / hydraulic cab tilt to 65 degrees
- External tinted sunvisor
- Underbumper air dam
- Front panel lockable from inside

### Interior

- Multifunction steering wheel
- Aluminium inlay in dashboard and doors
- Radio CD 24 volt (double DIN size)
- MAN 6 speaker sound system (inc subwoofer in sleeper cabs)
- Internal rollerblind sun visors to windscreen and both doors
- Roof hatch
- Base-Line instrument panel with driver information system for all major functions
- Single bunk with full cab curtains (sleeper models)
- Fine dust and pollen filter
- Central door locking
- Adjustable steering column

### Safety

- Entry lighting for driver and co-driver
- External temperature display
- LED parking lights
- Non-slip entry steps
- Light test function
- Combined fog, spot and cornering lights (synthetic bumper)

### Storage

- Pull-out insulated centre storage box
- 2 large external storage lockers – one accessible from inside (sleeper models)
- Header rail storage
- Storage pockets with bottle holder in both doors
- Overhead storage lockers (LX model)
- Centre console with glasses compartment
- 1 drawer in centre console
- Rubberised trays on dashboard

### Heating and Ventilation

- Air conditioning with automatic temperature control
- Side window demisting vents

### Seats

- High comfort driver seat with air suspension and arm rests
- Adjustable high-back co-driver seat

### Windows

- Electric door windows
- Tinted glass all round, laminated windscreen

## TGS Optional Equipment

S = Standard O = Optional

### Exterior

	LX	L	M
Adjustable air management kit with movable side deflectors	O	O	--
Adjustable roof spoiler	O	O	O
2 Air horns on cab roof	O	O	O
Electric roof hatch	O	O	O
Remote for central locking	O	O	O
*3 part steel bumper	O	O	O

### Interior

	LX	L	M
Burr walnut dashboard trim	O	O	O
MAN CD autochanger	O	O	O
Remote control for radio	O	O	O
Compressed air hose with gun behind seat	O	O	O
Leather interior	O	O	O
2nd bunk	O	--	--
Combination pull-out emergency top bunk / multifunction stowage shelf	O	O	--
Fabric interior door panels	S	S	S
Washable interior door panels	O	O	O
Footrest for co-driver	O	O	O

### Safety

	LX	L	M
Shunting light on n/side step unit	O	O	O
Headlight washers	O	O	O
Xenon headlights	O	O	O
Tyre pressure monitoring system	O	O	O

### Storage

	LX	L	M
Refrigerated 36L centre storage box with thermostat control and bottle compartment (3x 1.5L bottles)	O	O	O
Storage pocket in door armrest (not available with washable interior door panels)	S	S	S
Folding table for centre storage box / fridge	O	O	O

### Seats

	LX	L	M
Air suspended co-driver seat	O	O	O
ISRI high comfort co-driver seat	O	O	O
ISRI high comfort driver seat with adjustable lumbar support, adjustable headrest and heating	O	O	O
ISRI high comfort driver seat with climate control	O	O	O
Leather seat covers for ISRI seats	O	O	O

\* 3 part steel bumper standard on 6x4 Tipper and 8x8 models, includes additional fog and spot lamps, no cornering lights available.

A large, stylized, 3D-effect logo of the letters 'MAN' in a dark red color, set against a lighter red background. The letters are bold and blocky, with a slight shadow effect. A large, curved, light red arc is positioned above the letters, partially framing them.

**MAN Automotive Imports Pty Ltd**

72 Formation Street, Wacol, Qld 4076 • PO Box 301, Goodna Qld 4300

Telephone: 07 3271 7777 • Facsimile: 07 3271 2720 • [www.man.com.au](http://www.man.com.au)

MAN09-07